

Cadex FlexArm™

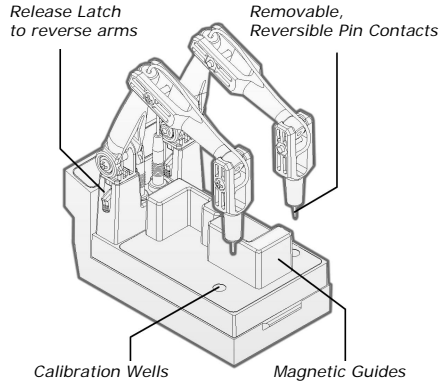
User's Guide

Introduction

The Cadex FlexArm™ Universal Battery Adapter is designed to handle a wide range of cellular phone and other small rechargeable battery packs. It features moveable spring-loaded probes/arms that adjust to reach the battery contacts.

The FlexArm™ is for use with Cadex C7000 Series Battery Analyzers.

Note: Do **NOT** use the FlexArm™ to service Li-ion batteries on the C7000 & C7000ER Analyzer.



Mounting a battery

Check the polarity (i.e. find the positive and negative terminals) of the battery before connecting the probes. The Analyzer will sound a warning if the probes are connected backwards. *Swap the plugs if necessary to reverse the polarity.* The arms are removable and can be installed to point backward to service larger batteries on the analyzer's back cover.

The FlexArm™ is supplied with two magnetic battery guides to hold the battery in place.

C-Codes

The FlexArm™ is able to store 10 independent C-Codes. Please see the Analyzer Users Manual for more details on using C-Codes.

Note: The *Edit* key on the Analyzer steps you through the programming process.



Always use the correct C-Code to service a battery. A wrong setting may cause damage to the battery, fire or explosion.

Maintenance

Wiring: Make sure wires between the joints have slack. Wires can get damaged if they caught in the joints.

Calibration: Your FlexArm™ should be calibrated every 6 months or after 1000 connections. See the Analyzer Manual for calibration instructions. When prompted to short the contacts during calibration, place the contact pins into one of the 'calibration wells' on the adapter plate.

Cleaning: Keep the contact pins and calibration wells clean with a cotton swab and alcohol.

Joint Tension: The tension in the joints can be adjusted. The factory setting is 15 N-cm (1.3 lb-inches).

Replacing and Reversing Pins: The contact pins are removable and reversible. If the contact pin gets worn, grasp the tip and pull straight out. Reverse and reinsert the contact pin. Replacement contact pins are available from Cadex (P/N 65-523-0002).

Disclaimer

While every effort is made to ensure that the information contained in this guide is accurate and up-to-date, the manufacturer does not warrant or guarantee its accuracy. Further, the manufacturer makes no warranties, either expressed or implied, as to the merchantability or fitness for a particular purpose of the Cadex FlexArm™. In no event will the manufacturer or its officers or employees be responsible for any consequential, incidental, or indirect damages (including damages for loss of business profits, business interruption, and the like) arising out of the use or inability to use the Cadex FlexArm™ Adapter and/or its documentation.

RoHS Compliance

The FlexArm™ complies with the European Union's Directive 2002/95/EC, Restrictions of Hazardous Substances (RoHS)

Contact Information

Cadex Electronics Inc.
22000 Fraserwood Way, Richmond, BC, Canada V6W 1J6
Tel: (604) 231-7777 Toll-free: (800) 565-5228 Fax: (604) 231-7755
info@cadex.com www.cadex.com

Copyright © 2006 Cadex Electronics Inc. All rights reserved.

Cadex and FlexArm are registered trademarks of Cadex Electronics Inc.

All other trademarks mentioned herein belong to their respective owners.

Printed in Canada

89-207-1002 Rev. 4 (PSMAN0015)

August 2006